

R2560A High-Power 12 GHz Photodiode



Features

- Highly reliable planar photodiode technology
- High power capability
- dc coupled
- High breakdown voltage
- Bandwidth >13 GHz typical
- Good RF match: >13 dB typical return loss
- Hermetically sealed

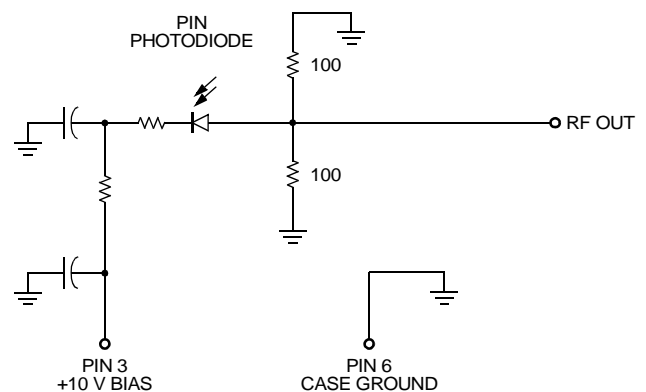
Applications

- Optically amplified systems (following EDFA or Raman amplifiers)
- Linear receiver applications
- FEC and Super-FEC to 12.5 Gbits/s

Description

The R2560A incorporates a high-speed planar PIN diode to provide a highly reliable, high-power photodiode module. This module is well suited for receiver applications with optical preamplification. The diode is well matched over the operating frequency band, thereby simplifying high-speed integration.

Block Diagram



1-1176 (F)

Pin Information

Table 1. Pin Descriptions

Pin No.	Description
1	NC
2	NC
3	10 V (VPD)
4	NC
5	NC
6	Ground

Absolute Maximum Ratings

Stresses in excess of the absolute maximum ratings can cause permanent damage to the device. These are absolute stress ratings only. Functional operation of the device is not implied at these or any other conditions in excess of those given in the operational sections of the data sheet. Exposure to absolute maximum ratings for extended periods can adversely affect device reliability.

Parameter	Symbol	Min	Max	Unit
Operating Temperature Range	TOP	0	70	°C
Storage Case Temperature Range	Tstg	-40	85	°C
Photodiode Bias Voltage	VPD	—	15	V
Average Optical Input Power	PIN	0	12	dBm

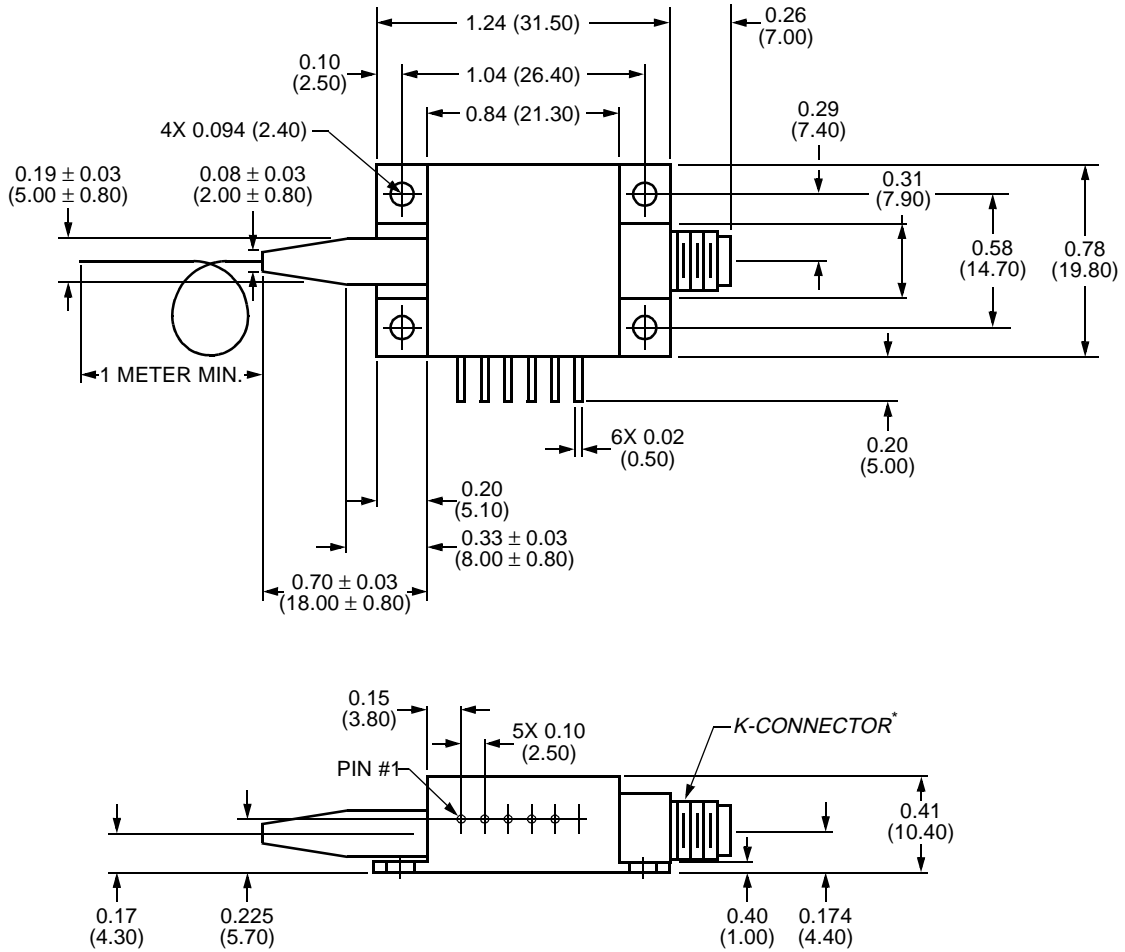
Characteristics

Table 2. Electrical/Optical Characteristics (at 25 °C Case Temperature)

Parameter	Symbol	Min	Typ	Max	Unit
Optical Wavelength Range	λ	1280	—	1580	nm
Gain into a 50 Ω Load for a Given Input Optical Power Level	G	17.5	—	—	V/W
Responsivity	R	0.7	0.8	—	A/W
Dark Current	ID	—	—	1	nA
Breakdown Voltage (IR = 10 μ A)	VBR	25	—	—	V
High Frequency Cutoff -3 dB relative to 100MHz	FHIGH	12	13	—	GHz
Low Frequency Cutoff	FLOW	—	—	0	kHz
Group Delay Variation (0.5 GHz— 13 GHz) Relative to 2 GHz	—	-10	—	20	ps
RF Output Return Loss (0.1 GHz—13 GHz)	RLRF	10	13	—	dB
Optical Return Loss	RL	35	—	—	dB
Photodiode Supply Voltage (VPD)	VPD	8	10	12	V

Outline Diagram

Dimensions are in inches and (millimeters).



* K-Connector is a trademark of Anritsu Company.

1-1169(F).f

R2560A High-Power 12 GHz Photodiode

Ordering Information

Table 3. Ordering Information ¹

Device Code	Description	Connector	Pigtail	Comcode
R2560A023	12 GHz Photodiode	FC/SPC	SMF-28 ² (1 m min.)	108870056

1. Other options available. For additional ordering information, please contact a Lucent account manager at Microelectronics Group, Optoelectronics Division, Opto West, 1-800-362-3891 (for sales staff, please press option 2).
2. SMF-28 is a trademark of Corning Incorporated.

For additional information, contact your Agere Systems Account Manager or the following:

INTERNET: <http://www.agere.com>

E-MAIL: docmaster@micro.lucent.com

N. AMERICA: Agere Systems Inc., 555 Union Boulevard, Room 30L-15P-BA, Allentown, PA 18109-3286
1-800-372-2447, FAX 610-712-4106 (In CANADA: 1-800-553-2448, FAX 610-712-4106)

ASIA PACIFIC: Agere Systems Singapore Pte. Ltd., 77 Science Park Drive, #03-18 Cintech III, Singapore 118256
Tel. (65) 778 8833, FAX (65) 777 7495

CHINA: Agere Systems (Shanghai) Co., Ltd., 33/F Jin Mao Tower, 88 Century Boulevard Pudong, Shanghai 200121 PRC
Tel. (86) 21 50471212, FAX (86) 21 50472266

JAPAN: Agere Systems Japan Ltd., 7-18, Higashi-Gotanda 2-chome, Shinagawa-ku, Tokyo 141, Japan
Tel. (81) 3 5421 1600, FAX (81) 3 5421 1700

EUROPE: Data Requests: DATALINE: Tel. (44) 7000 582 368, FAX (44) 1189 328 148
Technical Inquiries: OPTOELECTRONICS MARKETING: (44) 1344 865 900 (Ascot UK)

Agere Systems Inc. reserves the right to make changes to the product(s) or information contained herein without notice. No liability is assumed as a result of their use or application.